



Series 6400 - Double rack rotary actuators with turn table

These rotary actuators convert linear motion of a piston into a rotary motion via a rack and pinion device, using a single pinion-rack system for the 6411 version and a double system on 6400 versions. The 6410 series actuators have fixed stops at 90 and 180 degrees; while on the 6400 series, rotation can be adjusted between 0 and 190 degrees using variable stops that can also be substituted with hydraulic stoppers (shock absorbers). These devices are equipped with a rotating table upon which the load is fixed.

Body	anodized aluminium
Rack	steel
Rear end cap	anodized aluminium
Piston seals	NBR rubber
Pinion	steel
Turn table	anodized aluminium
Cushioning	elastic bumper (hydraulic damper available on request)
End caps	anodized aluminium

Fluid	filtered and preferably lubricated air or not (if lubricated the lubrication must be continuous)
Max. working pressure	10 bar (for type 100 and 200, 6 bar)
Temperature °C	-5 ... +70
Rotation angle range	0...190°
Max. rotation	190°
Rotation speed	s/90° (see rotation time table)

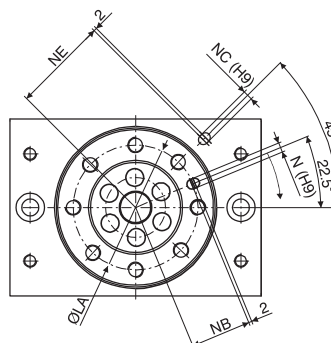
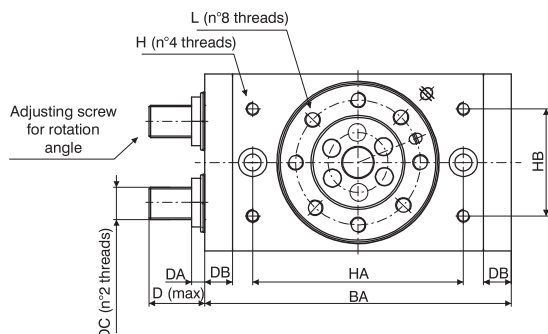
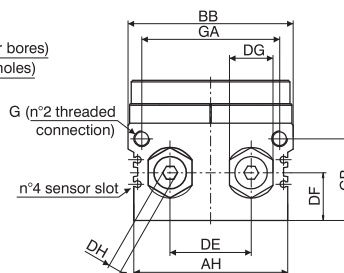
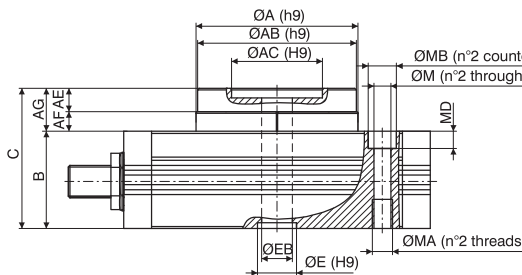
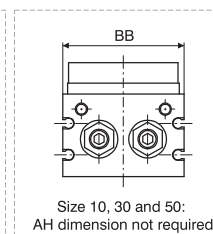
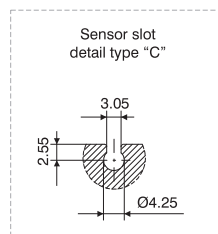
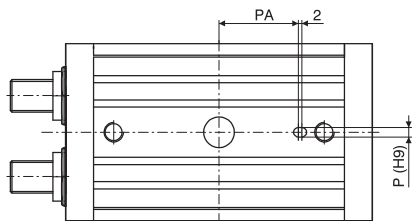




Double rack rotary actuators with turn table

Coding: 6400.P.V

	PISTON
P	10 = (piston ø15)
	30 = (piston ø20)
	50 = (piston ø25)
	100 = (piston ø32)
	200 = (piston ø40)
	VERSION
V	A = Standard
	R = Cushioning (Shock absorber)



3

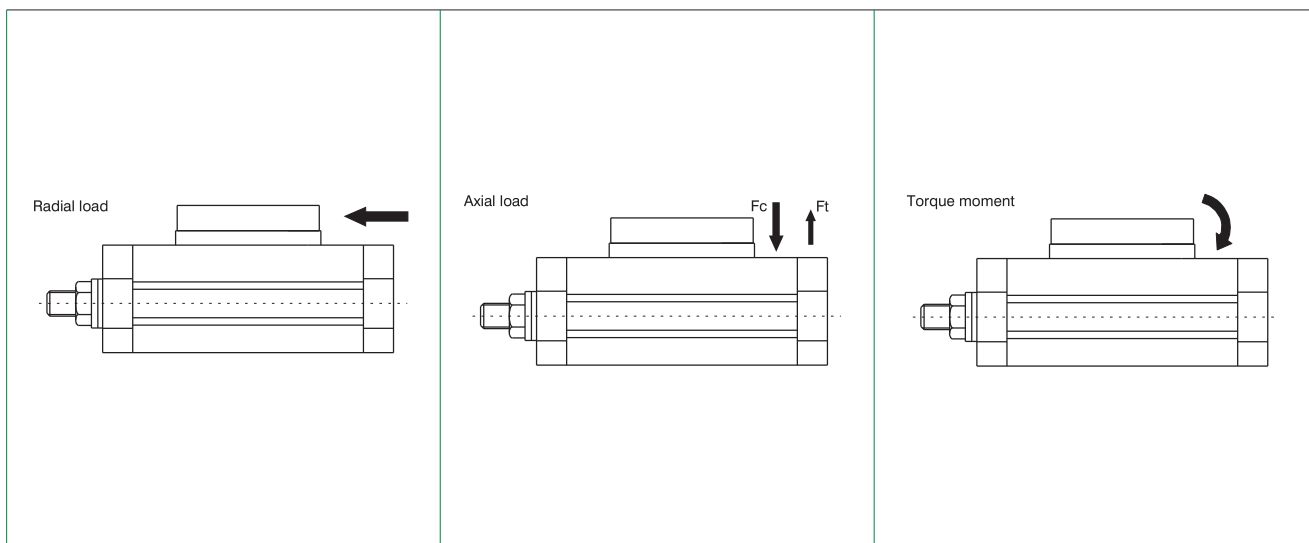
PNEUMATIC ACTUATION

Size	10	30	50	100	200
Ø piston	Ø15	Ø21	Ø25	Ø32	Ø40
ØA ^{H9}	46	67	77	100	118
ØAB ^{H9}	45	65	75	98	116
ØAC ^{H9}	20	32	35	56	64
	Useful depth	4	4,5	5	6
AE	8	10	12	14,5	16,5
AF	5	7	8	12,5	15,5
AG	13	17	20	27	32
AH	/	/	/	95	114
B ^{+0,5/0}	34	40	46	59	74
BA	92	127	152	189	240
BB ^{+0,5/0}	50	70	80	102	120
C ^{+0,5/0}	47	57	66	86	106
D	17,7	25	31,4	34,3	40,2
DA	8,6	10,6	14	8	20
DB	9,5	12	15,5	17	24
DC	M8x1	M10x1	M14x1,5	M20x1,5	M27x1,5
DE	20	29	38	50	60
DF	15,5	18,5	22	29,5	36,5
DG	12	14	19	27	36
DH	4	5	6	8	10
ØE ^{H9}	15	22	26	24	32
	Useful depth	3	3	3	3,5
ØEB	5	9	10	19	24
G	M5x0,8	G1/8	G1/8	G1/8	G1/8

Size	10	30	50	100	200
Ø piston	Ø15	Ø21	Ø25	Ø32	Ø40
GA	34,5	50	63	85	103
GB	27,8	32	37,5	50,5	65,5
H	M5x0,8	M6x1	M8x1,25	M8x1,25	M12x1,75
	Useful depth	8	8	10	13
HA	60	84	100	130	150
HB	27	37	50	66	80
L	M5x0,8	M6x1	M8x1,25	M10x1,5	M12x1,75
	Useful depth	8	10	12	14,5
LA	32	48	55	77	90
M	6,8	8,6	10,5	10,4	14,2
MA	M8x1,25	M10x1,5	M12x1,75	M12x1,75	M16x2
	Useful depth	12	15	18	18
MB	11	14	18	17,5	20
MD	6,5	8,5	10,5	10,5	12,5
N ^{H9}	3	4	5	6	8
	Useful depth	3,5	4,5	5,5	6,5
NB	15	23	26,5	37,5	44
NC ^{H9}	/	/	/	6	8
	Useful depth	/	/	/	4,5
NE	/	/	/	59	69
P ^{H9}	/	/	/	6	8
	Useful depth	/	/	/	4,5
PA	/	/	/	49	54
Weight (g)	530	1230	2080	4100	7650

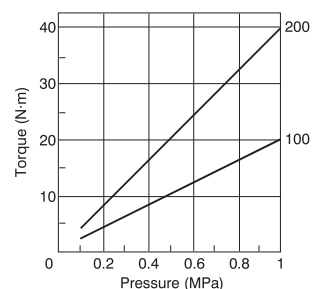
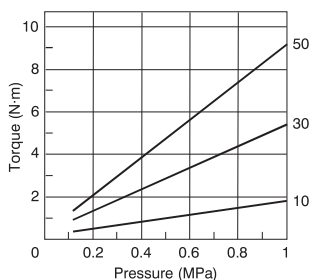


		Permissible loads				
Size		10	30	50	100	200
Radial Load (N)		80	200	320	400	550
Axial Load (N)	Fc	80	370	450	710	1000
	Ft	75	200	300	500	750
Torque Moment (Nm)		2,5	5,5	9,5	18	25



PNEUMATIC ACTUATION

Torque Diagrams



Rotation time (sec./90°)

Dimension	With adjusting screw	With hydraulic decelerator
10 - 30 - 50	0,2 ... 1	0,2 ... 0,7
100	0,2 ... 2	0,2 ... 1
200	0,2 ... 2,5	0,2 ... 1

Kinetic energy (J)

Dimension	With adjusting screw	With hydraulic decelerator
10	0,006	Please apply to our tech-dpt for info (as general rule expressed valves can be multiplied by 3)
30	0,045	
50	0,08	
100	0,30	
200	0,52	